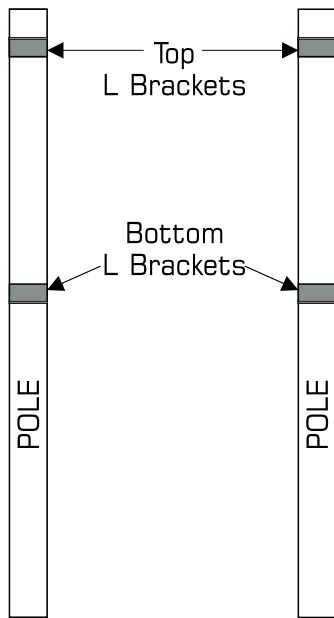
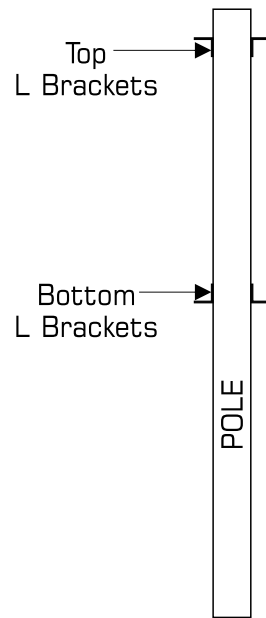


Typical Face of Poles Mount, using Mounting Brackets

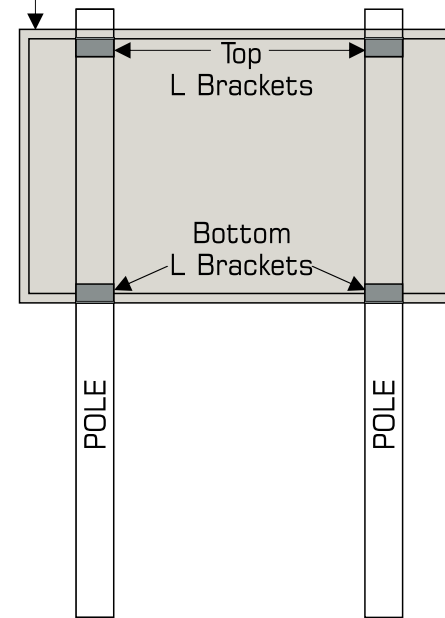


FRONT VIEW

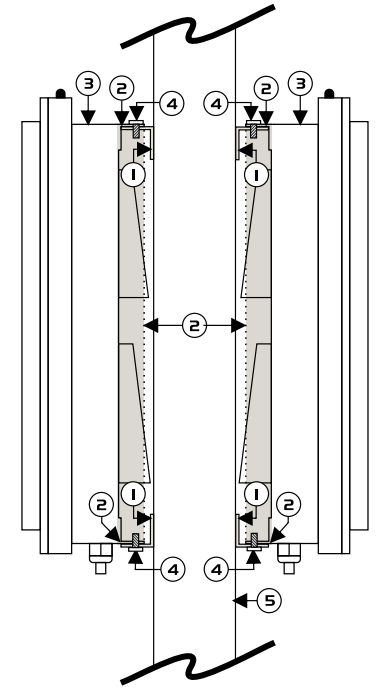


SIDE VIEW

LED CABINET



FRONT VIEW



Mounting Brackets Detail
SIDE VIEW
Not to Scale

1. MOUNTING BRACKETS, WELDED TO POLES, SUPPLIED BY INSTALLER
2. BUILT INTO EXTRUSION MOUNTING ANGLE
3. ALUMINUM LED CABINET
4. FASTENER, SUPPLIED BY INSTALLER
5. POLE